



## DATI TECNICI - TECHNICAL DATA

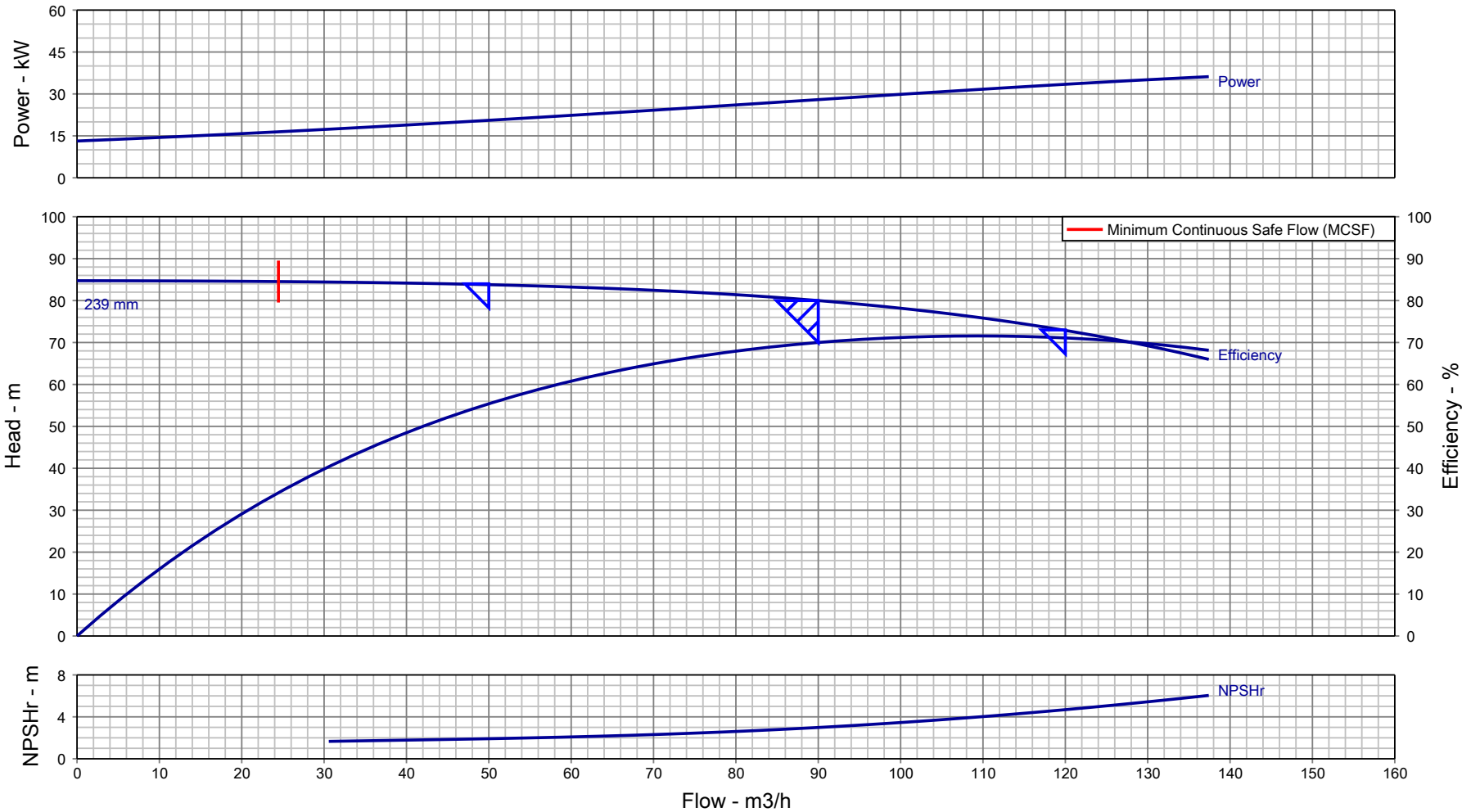
Cliente Customer		REFERENCE	PRELIMINARY
MOTORE TIPO - MOTOR TYPE			<b>BAA 200 LB2</b>
POTENZA NOMINALE - RATED POWER		kW	37
SERVIZIO - DUTY			S1
TENSIONE - RATED VOLTAGE		V	400 DELTA
FREQUENZA - RATED FREQUENCY		Hz	50
CORRENTE NOMINALE - NOMINAL CURRENT		A	64,5
VELOCITA' NOMINALE - RATED SPEED		r.p.m.	2950
FORMA - SHAPE		IM	IM B3
ESECUZIONE - EXECUTION			TEFC
GRADO di PROTEZIONE - PROTECTION DEGREE		IP	55
TIPO di RAFFREDDAMENTO - COOLING SYSTEM		IC	411
MOMENTO D'INERZIA - MOMENT OF INERTIA ( $J = WD^2/4$ )		Kgm <sup>2</sup>	0,139
TEMPERATURA AMBIENTE - AMBIENT TEMPERATURE		°C	40°C
REGISTRO - CLASSIFICATION			-
CLASSE di ISOLAMENTO - INSULATION CLASS			F
SOVRATEMPERATURA - TEMPERATURE RISE			B
NORME APPLICABILI - APPLICABLE STANDARDS		IEC	IEC 60034-1

		CARICO - LOAD	
			4/4
RENDIMENTO - EFFICIENCY		%	92.0
COS $\phi$ - POWER FACTOR			0,90
COPPIA - TORQUE	NOMINALE - FULL LOAD	Nm	119,8
	SPUNTO - LOCKED ROTOR	p.u.	2,4
	MASSIMA - PULL-OUT	p.u.	2,6
CORRENTE di C.C. - LOCKED ROTOR CURRENT		p.u.	6,5
AVVIAMENTO - STARTING METHOD			DOL
PROTEZIONI TERMICHE - THERMAL PROTECTIONS	AVVOLGIMENTI - WINDINGS		-
	CUSCINETTI - BEARINGS		-
SCALDIGLIE ANTICONDENSA - SPACE HEATERS		V	-

## DATI MECCANICI - MECHANICAL DATA

TIPO CUSCINETTI - BEARINGS TYPE	L.A. - D-end		6312-2Z
	L.O. - N-end		6312-2Z
LUBRIFICAZIONE - LUBRICATION	TIPO - TYPE		-
	INTERVALLO - INTERVAL	hr	-
DIREZIONE di ROTAZIONE - DIRECTION of ROTATION			BOTH
RUMOROSITA' A VUOTO - NO LOAD NOISE ( $\pm 3$ dB(A) tolerance)		dB(A)	92
PESO - WEIGHT		Kg	242
VERNICIATURA - PAINTING		MUNSELL	RAL 5010
INTENSITA' di VIBRAZIONE - VIBRATION LEVEL		IEC 34.14	A

## Pump Performance Curve



Customer :	Pump Size/ Stages : DB 65/26/ 1	Flow, rated : 90.00 m <sup>3</sup> /h
Customer enquiry :	Speed, rated : 2955 rpm	Differential Head : 80.00 m
Project : Default	Based on curve number : HD10216A0 Rev 0	Fluid density rated : 0.998 kg/dm <sup>3</sup>
Quote number : 312657	Viscosity : 1.00 cSt	Efficiency : 70.01 %
Item number : 001	Cq/Ch/Ce/Cn [HI2010] : 1.00 / 1.00 / 1.00 / 1.00	Power, rated : 27.97 kW
Quantity : 1	Minimum recommended driver rating : 37.00 kW / 49.62 hp	NPSH required : 2.99 m
Date last saved : 08 Oct 2020 12:47 PM	Performance testing standard : ISO 9906 / ANSI-HI 14.6 Gr 2B	Liquid Type/ Application : Water

Notes: 1. Performance at shut off condition is approximate. 2. Rated impeller diameter is approximate. 3. Only duty point is guaranteed as per testing standard.



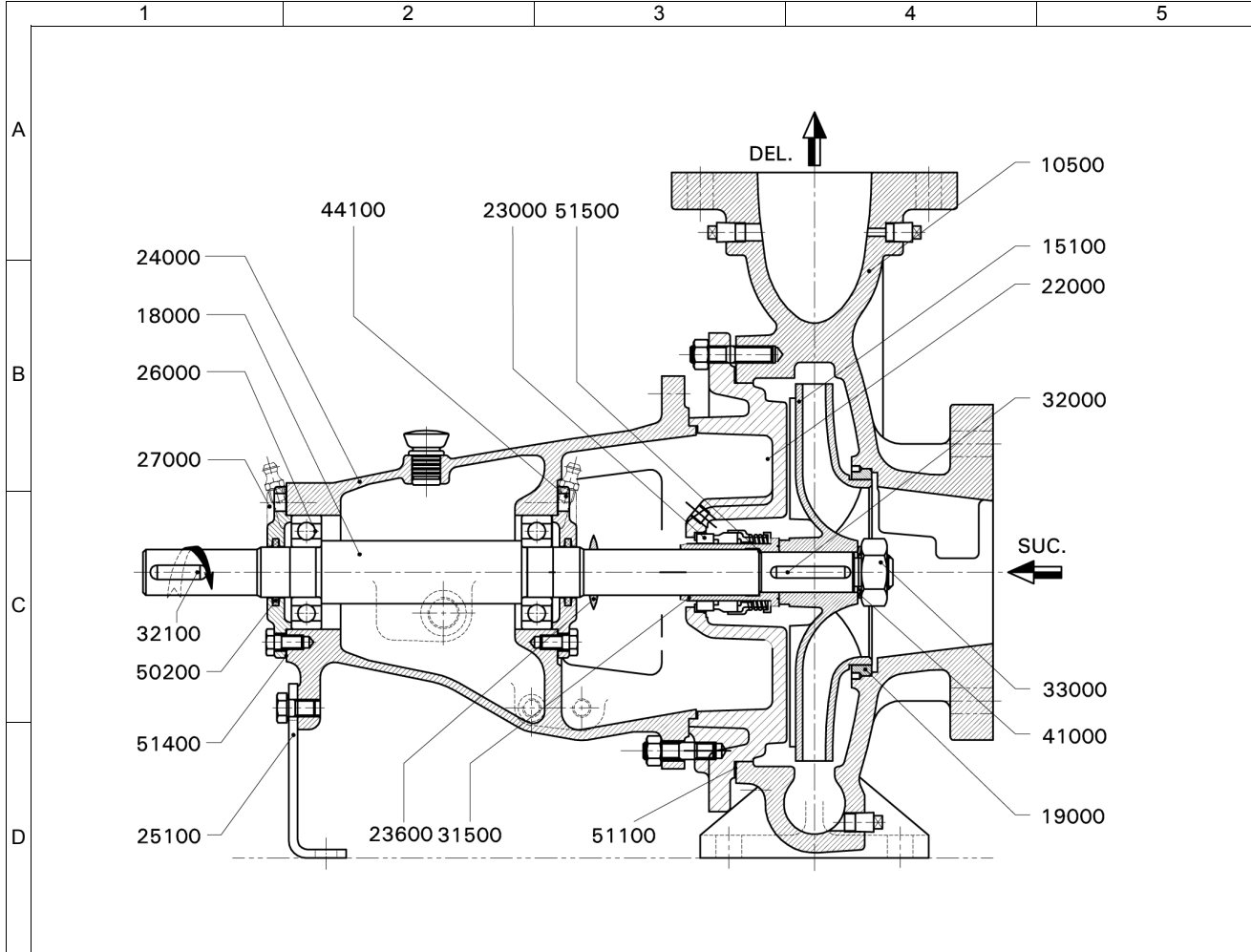
Enriching Lives

## Pump Performance Datasheet

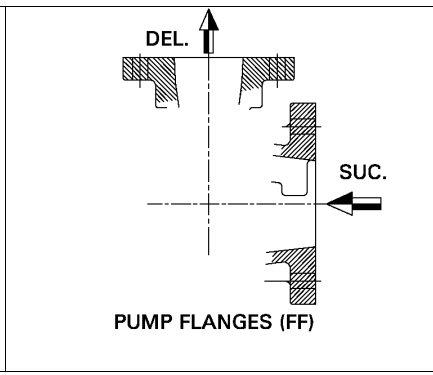
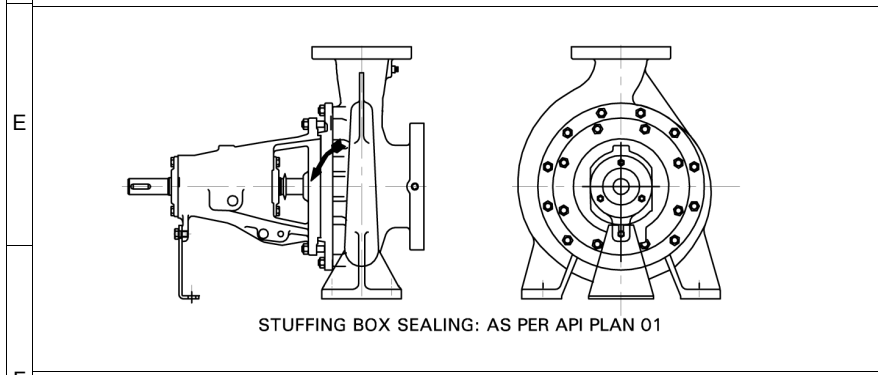
General				
Customer	:		Quote number	: 312657
Customer Enquiry No.	:		Pump model	: DB 65/26
Project	:	Default	Stages	: 1
End user	:	-	Based on curve number	: HD10216A0 Rev 0
Tag number	:	001	Date last updated	: 08 Oct 2020 12:47 PM
Service	:	-	Quantity of pumps	: 1
Operating Conditions		Liquid		
Flow, rated	:	90.00 m3/h	Liquid handled	: Water
Suction pressure, rated / max	:	0.00 bar.g / 0.00 bar.g	Additional liquid description	: Fresh Water
Discharge pressure, rated	:	7.83 bar.g	Temperature, max	: 20.00 deg C
Head, rated (requested)	:	80.00 m	Solids diameter, max	: 0.00 mm
NPSH available, rated	:	Value not specified	Solids in suspension by volume	: 0.00 %
Frequency	:	50 Hz	Specific gravity, rated / max	: 0.998 / 0.998 kg/dm3
			Viscosity, Rated / Max.	: 1.00 cSt / -
Performance		Driver & Power Data		
Pump speed, rated	:	2955 rpm	Driver sizing specification	: Maximum Power
Impeller Dia, Rated (Approx.)	:	239 mm	Margin over specification	: 0.00 %
Impeller diameter, maximum	:	264 mm	Power, rated	: 27.97 kW
Impeller diameter, minimum	:	205 mm	-	: -
Efficiency at duty point	:	70.01 %	-	: -
NPSH required / margin required	:	2.99 m / 0.50 m	Driver Rating	: 37KW
MCSF	:	24.46 m3/h		
Cq/Ch/Ce: [-]	:	1.00 / 1.00 / 1.00		
Water eq. duties (Qw/Hw/Ew)	:	90.00 m3/h / 80.00 m / 70.01 %		
Suction / Delivery nozzle size	:	80.00 mm / 65.00 mm		
Noise level	:	90 dB		
Vibration level (RMS)	:	5.1 mm/s		
Test standard	:	ISO 9906 / ANSI-HI 14.6 Gr 2B		
Starting condition	:	Closed Delivery Valve		
Material		Pressure Data		
MOC Code	:	16MOC	Maximum working pressure	: 8.30 bar.g
Material (Casing / Impeller / Shaft)	:	CI IS210:FG260 (012) / CI IS210:FG260 (012) / ST ST ASTM A276-410 ANLD (253)	Maximum allowable working pressure	: 16.00 bar.g
-	:	-	Maximum allowable suction pressure	: 1.96 bar.g
			Hydrostatic test pressure	: 18.34 bar.g
		Construction		
		Basic construction	: End Suction Pump-OH1	
		Impeller type	: Enclosed	
		Selection status	: Acceptable	
		Rec. Pipe Size (Suc / Del)	: 150 mm / 125 mm	



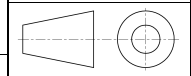
Enriching Lives



PART NO.	PART DESCRIPTION	MAT. CODE	MOC DESCRIPTION
10500	PUMP CASING	012	CI IS210:FG260
15100*	IMPELLER	012	CI IS210:FG260
18000*	PUMP SHAFT	253	ST ST ASTM A276-410 ANLD
19000*	WEAR RING - SUCTION SIDE	012	CI IS210:FG260
22000	CASING COVER	012	CI IS210:FG260
23000*	MECHANICAL SEAL	998	DIN SEAL
23600*	LIQUID DEFELCTOR	370	NATURAL RUB ASTM D2000AA-70SHORE/7MPa
24000	BEARING HOUSING	012	CI IS210:FG260
25100	SUPPORT FOOT	042	MS IS:5986-Fe410WA (OLD-IS:1079)
26000*	DEEP GROOVE BALL BEARING	000	STEEL
27000	BEARING COVER DE & NDE	012	CI IS 210-FG 260
31500*	SHAFT SLEEVE - MECHANICALSEAL	565	ST ST ASTMA276-410(210/250BHN)-ANLD
32000*	KEY FOR IMPELLER	253	ST ST ASTM A276-410 ANLD
32100	KEY FOR COUPLING	053	CS IS1570:40C8 HOT RLD
33001*	IMPELLER NUT	664	AUS ST ASTMA194/194M-8M-UNS S31600 (NUT)
41000*	LOCK WASHER-IMPELLER NUT	054	SPRING ST IS:4072-80C6
44100	GREASE NIPPLE	444	CS IS:1367 Part3 CL4.6 CDP
50200*	FELT RING	375	FELT
51100*	GASKET-CASING COVER	702	NON ASBESTOS FERROLITE NAM37 OR EQ
51400*	GASKET-BEARING COVER	702	NON ASBESTOS FERROLITE NAM37 OR EQ
51500*	GASKET-SHAFT SLEEVE	702	NON ASBESTOS FERROLITE NAM37 OR EQ



PUMP	DB 65/26	MOC	16
ENQUIRY NO./DATE	/	QUANTITY	1
PO. NO./DATE	-	TAG NO.	001
QUOTATION NO.	0	DATE.	-
O/A. NO.	-	MISI.	-
CUSTOMER	-		
END USER	-		
PROJECT	Default		
CONSULTANT	-		
SERVICE	-		



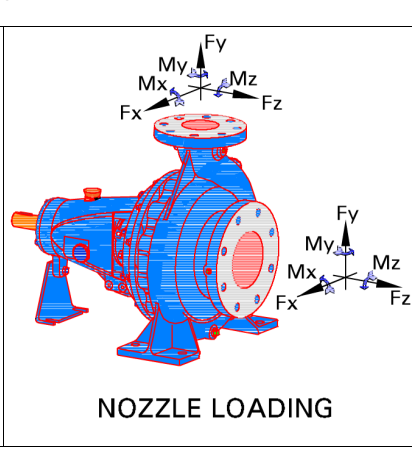
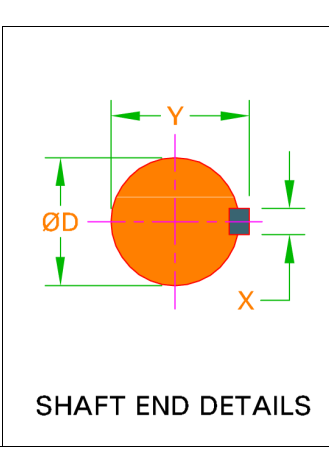
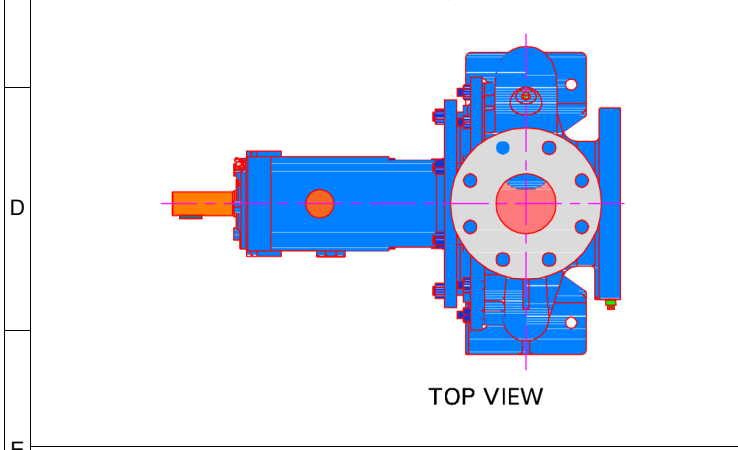
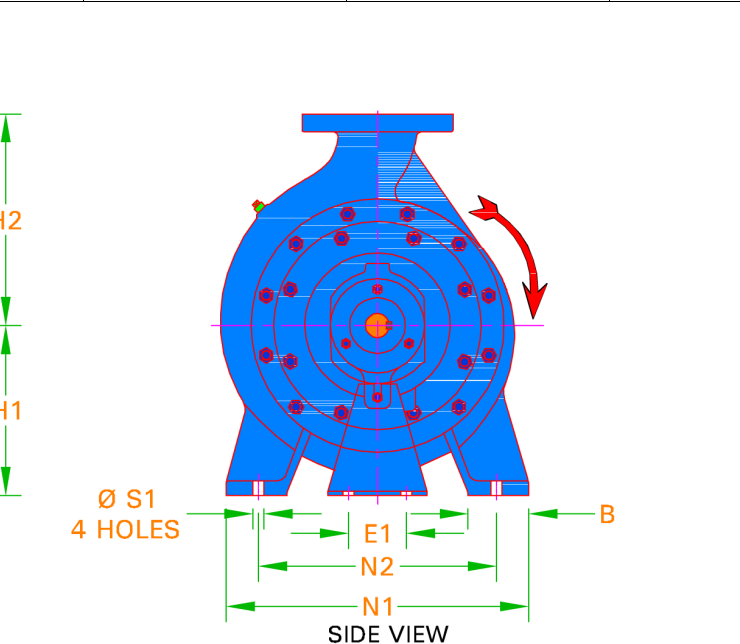
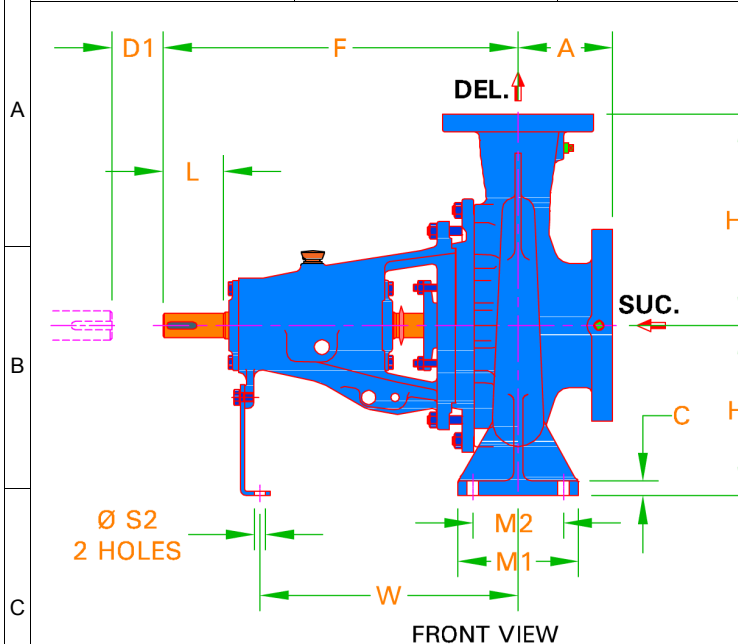
**Kirloskar Brothers Limited**  
KIRLOS KARVADI - 416308, DIST.- SANGLI (INDIA)

CROSS SECTIONAL DRAWING

- NOTES:
- " \* " INDICATES RECOMMENDED SPARES.
  - FASTENERS IN LIQUID CONTACT ARE IN CS

IMPORTANT: THIS DRAWING IS THE PROPERTY OF Kirloskar Brothers Limited. AND MUST NOT BE USED OR COPIED WITHOUT THEIR PRIOR AUTHORITY IN WRITING.

DRAWING NO. **TC02-1**



Enriching Lives

PUMP DUTIES			
CAPACITY	90.00 m <sup>3</sup> /h	EFFICIENCY	70.01 %
TOTAL HEAD	80.00 m	PUMP INPUT	27.97 kW
DENSITY	0.998 kg/dm <sup>3</sup>	NPSHR	2.99 m

FLANGE DRILLING STANDARD AND DETAILS					
SUCTION	BS EN1092 PN16 FF		DELIVERY	BS EN1092 PN16	
	NOM. SIZE	RF DIA.	P.C.D.	NO OF HOLES	HOLE DIA.
SUCTION	80.00 mm	N.A.	160 mm	8	18.0
DELIVERY	65.00 mm	N.A.	145 mm	4	18.0

ALLOWABLE NOZZLE LOADING						
	FORCES			MOMENTS		
	Fx	Fy	Fz	Mx	My	Mz
SUCTION	68.00 kgf	170.0 kgf	136.0 kgf	1,020 N.m	510 N.m	510 N.m
DELIVERY	57.00 kgf	142.0 kgf	114.0 kgf	843 N.m	422 N.m	422 N.m

TAPPING DETAILS	
DESCRIPTION	SIZE / TYPE
Suction Gauge	1/2"BSP
Delivery Gauge	1/2"BSP
Casing Drain	3/8"BSP
Casing Vent	NA
Bearing Cooling in / out	NA
Pad Cooling in / out	NA
Priming in	NA
Base Drain	NA

DIRECTION OF ROTATION FROM DE CLOCKWISE

PUMP	DB 65/26	PUMP WT.	81.00
		GD*2	0.02 kg
REC. DRIVER RATING	37KW	RATED SPEED	2955R
ENQ. NO./DATE	/	QUANTITY	1
PO. NO./DATE	-	TAG NO.	001
QUOTATION NO.	0	DATE	-
O/A NO.	-	MISI	-
CUSTOMER	-		
END USER	-		
PROJECT	Default		
CONSULTANT	-		
SERVICE	-		

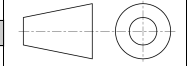
**NOTES:**  
 • ALL DIMENSIONS ARE IN mm  
 • DIM 'D1' INDICATES THE DISTANCE REQUIRED TO REMOVE BACK PULL OUT ASSEMBLY.

**IMPORTANT: THIS DRAWING IS THE PROPERTY OF Kirloskar Brothers Limited AND MUST NOT BE USED OR COPIED WITHOUT THEIR AUTHORITY IN WRITING.**

A	F	H1	H2	B	C	M1	M2	N1	N2	S1	E1	S2	W	-	D
100	470	200	250	80.00	16.00	160	120	360	280	18.00	110	14.00	342	-	32.00

X	Y	L	D1	-	-	-	-	-	-	-	-	-	-	-	-
10.00	25.00	80.00	140	-	-	-	-	-	-	-	-	-	-	-	-

-	-	-	-	-	-	-	-	-	-	-	-	-	-	-	-
-	-	-	-	-	-	-	-	-	-	-	-	-	-	-	-



**Kirloskar Brothers Limited**  
 KIRLOSKARVADI - 416308, DIST. - SANGLI (INDIA)

PUMP OUTLINE DRAWING

DRAWING NO. TL02-1-