



DIESEL FOR WATER PUMP



DESCRIPTION	D4BB(59KW/80PS/4,000RPM) POWER 48.5KW/3,000RPM	
DISPLACEMENT(cc)	2,607	
BORE X STROKE(mm)	91.1X100	
MAX. POWER (ps/rpm)	80/4,000	
MAX. TORQUE (kg.m/rpm)	17/2,200	
DIMENSION (mm)	LENGTH	710
	WIDTH	673.4
	HEIGHT	641
WEIGHT IN DRY(kg)	200.8	
CYCLE	4	
NO. OF CYLINDER	4	
CYLINDER ARRANGEMENT	IN-LINE	
FIRING ORDER	1-3-4-2	
COMPRESSION RATIO	22	
ASPIRATION	NA	
ALTERNATOR(V-A)	12-75	
STARTER MOTOR(V-kw)	12-2.0	
BSM(balance shaft module)	IN BLOCK	
ETC(electronic throttle control)	Non	
TIMING TRAIN	BELT	



Technical data

Date	7/20/2024
Offer N.	---
Pump Type	CA50-250A

Client	GPS POWER	Reference	---
--------	-----------	-----------	-----

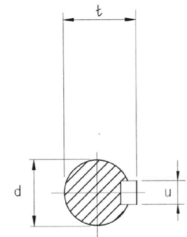
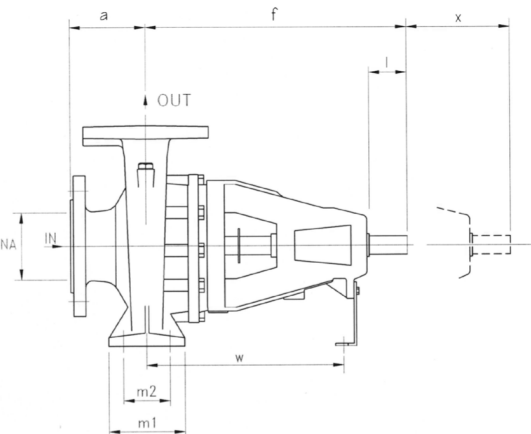
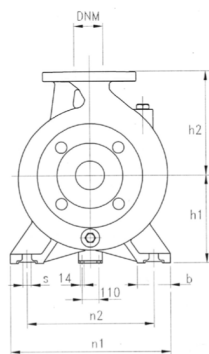
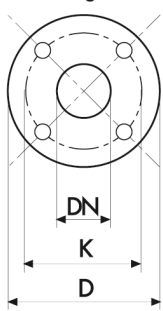
Pump data

Pump body and rear shield	Cast iron GJL-250	Bare-shaft centrifugal pumps manufactured in accordance with EN 733 and widely used in water supply, pressure boosting and fire fighting systems. The pumps are equipped with counter flanges and can be provided with the motor assembled on a common base frame. In the standard version the pumps have cast iron impeller and mechanical seal. On request are available bronze or stainless steel AISI316 impeller and gland packing seal. In the "X" version all the wet parts of the pump are made of AISI 316.
Impeller	Cast iron GJL-250 On request bronze or stainless steel AISI 316	
Pump bearings support	Cast iron GJL-250	
Type of seal	Mechanical ceramic-graphite On request: gland packing graphite	
Pump shaft end	Stainless steel AISI 316 EN X5CrNiMo17-12-2	
Liquid temperature	-10°C +90°C	
Operating pressure	Max 10 bar	

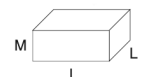
P2	Motor Size	Q (m3/h - l/min)													
		0	27	30	33	36	39	42	45	48	54	60	66	72	78
	(kW)	0	450	500	550	600	650	700	750	800	900	1000	1100	1200	1300
		H (m)													
22	180M	88.5	88.3	88.1	87.7	87.2	86.6	85.8	84.8	83.8	81.4	78.5	75	70.2	64.8

Technical Sheet

flanges



DN	D	K	holes	
			n°	Ø
32	140	100	4	18
40	150	110	4	18
50	165	125	4	18
65	185	145	4	18
80	200	160	8	18
100	220	180	8	18
125	250	210	8	18



DNA	DNM	DIMENSIONS (mm)																	Kg		
		a	f	h1	h2	m1	m2	n1	n2	s	b	l	d	t	u	x	w	l		L	M
65	50	100	360	180	225	100	95	320	250	14	65	50	24	27	8	100	260	680	405	545	53

Notes

The information may be subject to change without notice. It is always advisable to contact our commercial department in order to get further information about the products, their technical specifications and warranty conditions. The Company is expressly relieved of any liability for the purchasing of a product not in line with the customer's needs, if not consulted beforehand for a specific consultancy.

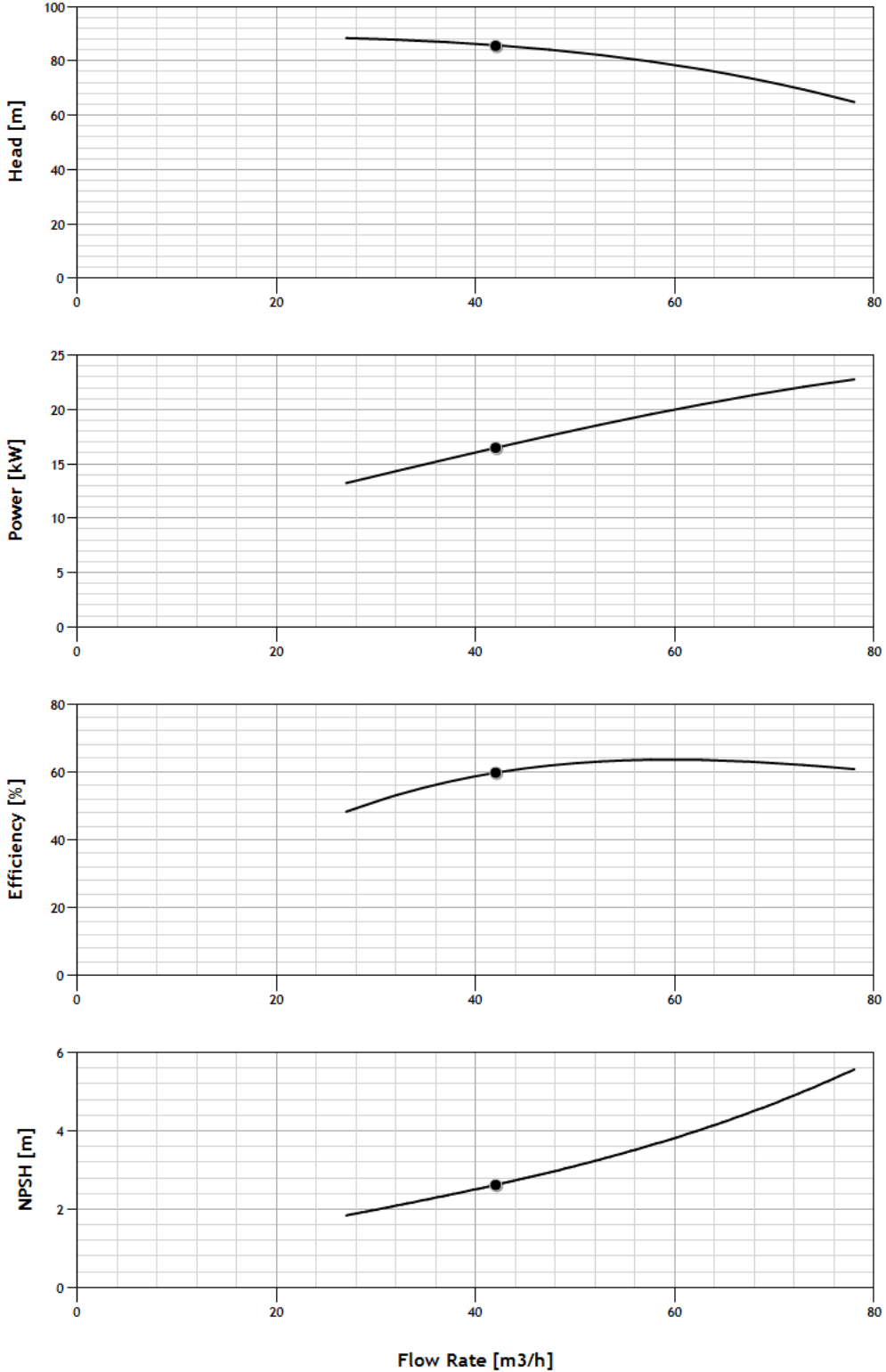


Working Curves

Pump type: CA50-250A

Curv n°:	CA50-250A
Date:	7/20/2024
Pump Speed	2900 rpm

Q (m3/h) 42 | H (m) 85.5 | Power [kW] 16.48 | Efficiency % 59.77 | NPSH (m) 2.62



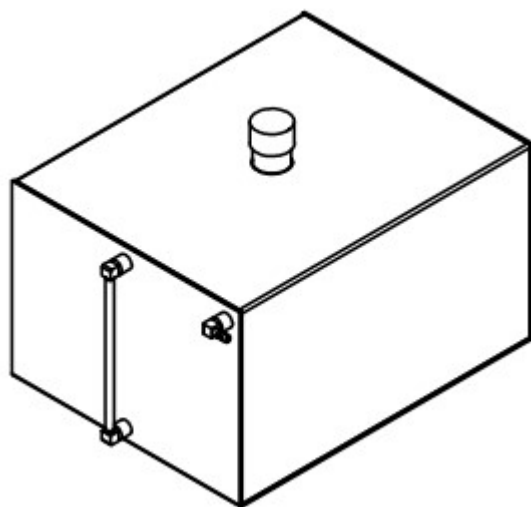
MEI ≥ 0,4 (regulation EU N. 547/2012)
Tolerances according to UNI ISO 9906 grade 3B



Công ty TNHH XNK TM Song Hân

CATALOGUE

Bình dầu 40L sử dụng cho bơm diesel, Động cơ Hyundai D4BB (48.5 kW/3000 RPM)



TIÊU CHUẨN	THÔNG SỐ
Thể tích	0 – 40 Lít
Kích thước (DxRxH)	450x350x270mm
Chất liệu	Thép dày 3mm
Màu sắc	Đen