

# DIESEL ENGINE

## KDG SERIES FOR GENERATOR

<b>Model: 6KDG-148</b>	<b>Prime power</b>	<b>142.0KW(193.0HP)/1500 rpm</b>	<b>145.0KW(197.0HP)/1800 rpm</b>
	<b>Standby Power</b>	<b>148.0KW(201.0HP)/1500 rpm</b>	<b>155.0KW(211.0HP)/1800 rpm</b>

- The engine performance is as per ISO 3046. Type of operation is based on ISO 8528.
- Prime power is available for an unlimited number of hours per year in a variable load application.
- The permissible average power output over 24 hours of operation shall not exceed 80% of the prime power rating.

### Engine Specifications

In-Line, 4 stroke, water-cooled, Turbocharged	
Combustion type	Direct injection
Cylinders - Bore x stroke	6 - 110 x 125 mm
Displacement	7127 cc
Firing order	1-5-3-6-2-4
Compression ratio	16 : 1
Dry weight	Approx. 670 kg
Dimension(LxWxH)	1,380 x 740 x 1,380 mm
Rotation	Anti-clockwise
Flywheel / Housing	SAE # 11.5 / # 3

### Fuel System

Injection pump	Direct Injection type
Governor	Electronic type
Feed pump	Mechanical type
Injection nozzle	Multi-hole type/ 0.255 mm
Opening pressure	25+0.5MPa
Fuel filter	Single Stage, Paper

### Fuel Consumption

Prime power at 1500rpm	38.1 liters/h
Standby power at 1500rpm	41.9 liters/h
Prime power at 1800rpm	39.8 liters/h
Standby power at 1800rpm	43.7 liters/h

### Cooling System

Cooling method	Fresh water forced type
Water pump	Centrifugal, Belt driven
Water Capacity	15.0 liters (engine only)
Max. water Temp	95 degree C.
Cooling Fan	Blade 7EA - Ø 560 mm

### Lubrication System

Lub. Oil Pan Capacity	16.0 liters
Max. allowable Oil Temp	120 degree C.
Oil pressure	Min. 294 kPa Max. 490 kPa

### Intake & Exhaust System

Max air restriction	Clean 2 kPa / Dirty 5 kPa
Exhaust back	Max 6 kPa

### Engineering Data

Combustion Air at 1500rpm	11.5 m3/min
Exhaust Gas at 1500rpm	28.4 m3/min
Combustion Air at 1800rpm	11.2 m3/min
Exhaust Gas at 1800rpm	29.8 m3/min

### Electric System

Charging generator	27.5 V x 36 A
Starting motor	24 V x 7.5 kW
Battery	12 V x 2 x 120 Ah

### Conversion Table

PS = kW x 1.3596	in. = mm x 0.0394
psi = kg/cm <sup>2</sup> x 14.2233	
HP= PS x 0.98635	

6KDC-148

REV. 000

1381

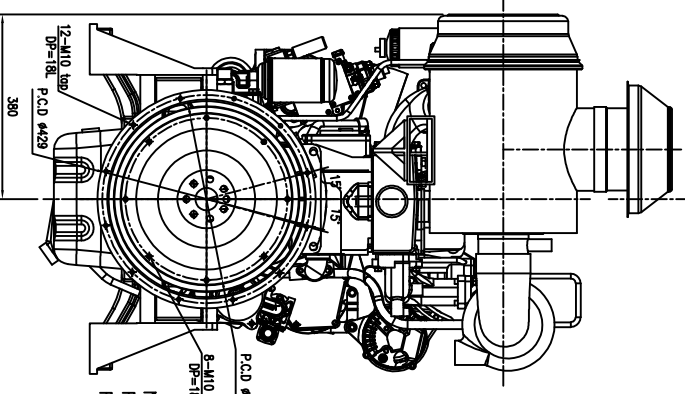
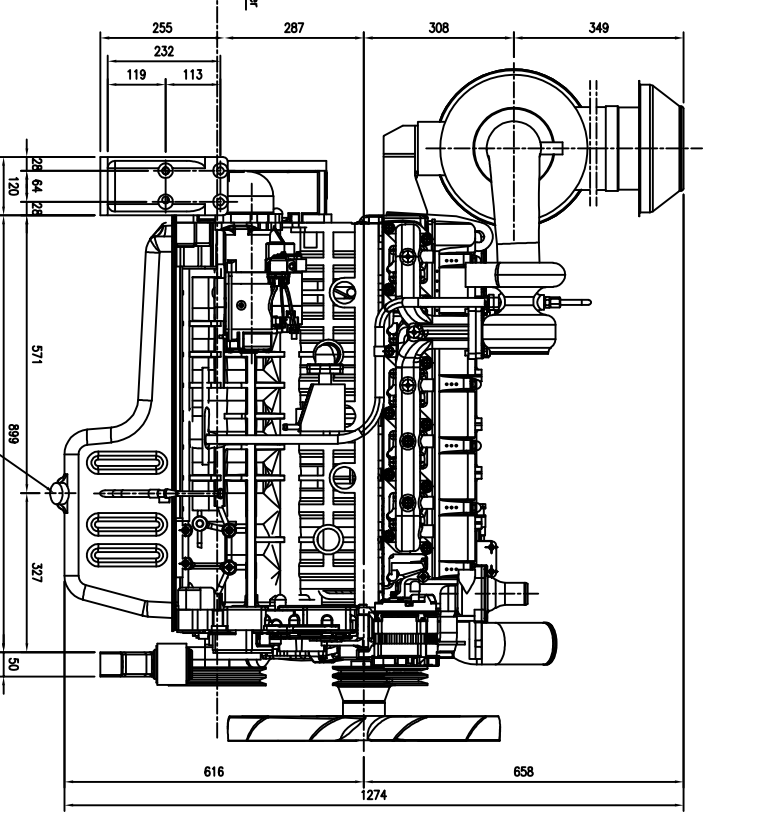
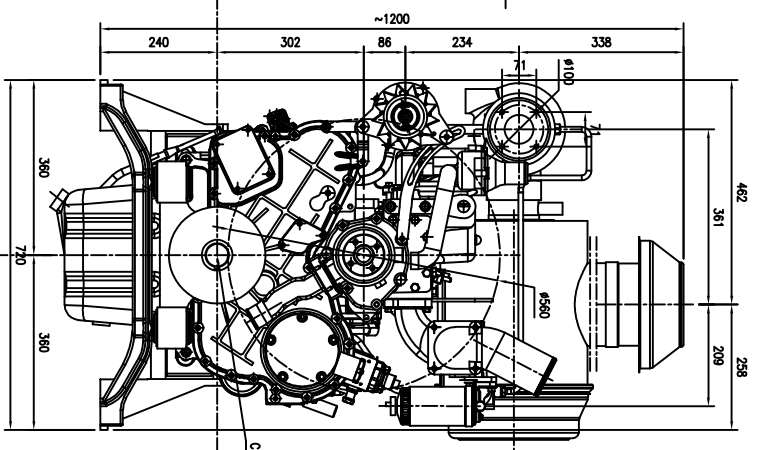
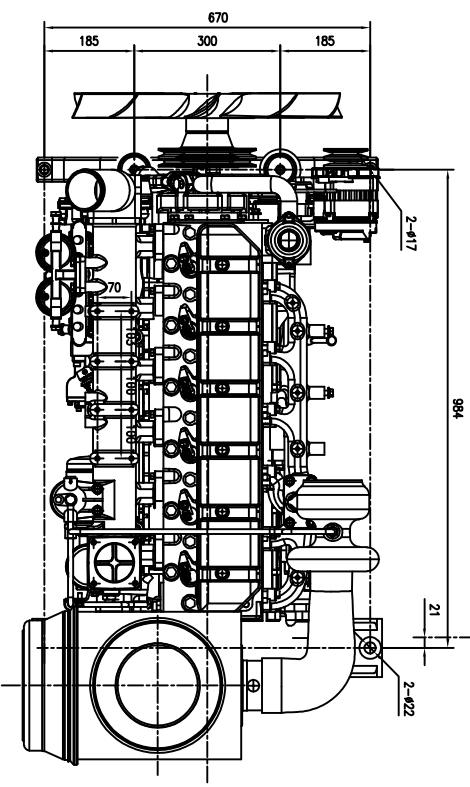
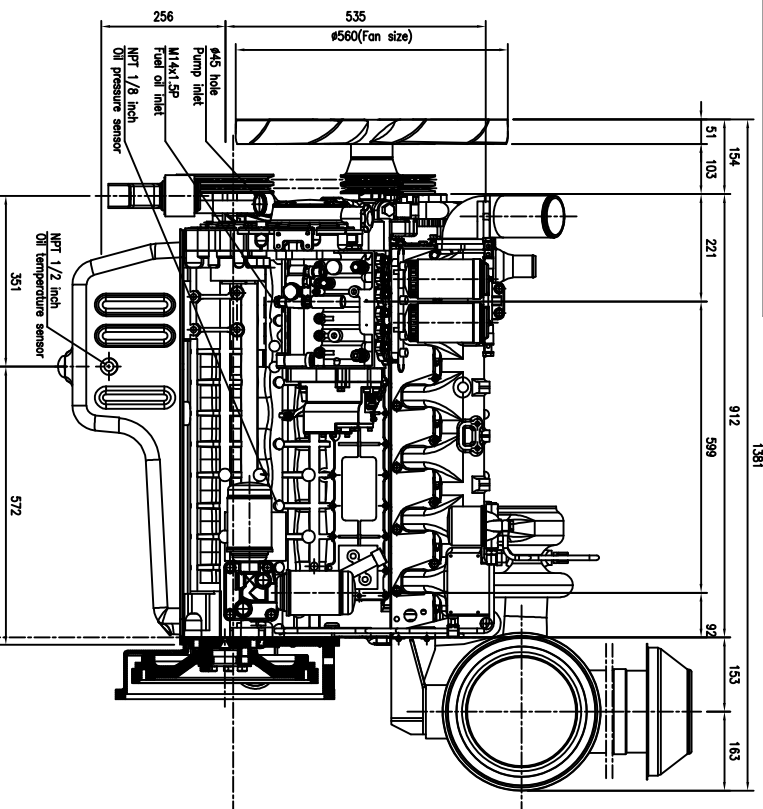
912

599

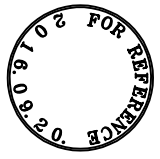
92

133

163



NOTE:  
FLYWHEEL : SAE #11.5  
FLYWHEEL HOUSING : SAE #3



CUSTOMER		TITLE	
-		6KDC-148	
6KDC-148		6KDC-148	
SCALE	1/12	DATE	10/09/20
DESIGNED BY		APPROVED BY	
CONTRACT NO.		REV. NO.	
APPROVAL		DATE	
CLIENT		JOB NO.	201009-00
APPROVAL		REV. NO.	
REVISION		REVISION	