

DIESEL ENGINE

KDG SERIES FOR GENERATOR

Model: 6KDG-206	Prime power	186.0KW(253.5HP)/1500 rpm	195.0KW(265.0HP)/1800 rpm
	Standby Power	206.0KW(280.0HP)/1500 rpm	215.0KW(292.0HP)/1800 rpm

- The engine performance is as per ISO 3046. Type of operation is based on ISO 8528.
- Prime power is available for an unlimited number of hours per year in a variable load application.
- The permissible average power output over 24 hours of operation shall not exceed 80% of the prime power rating.

Engine Specifications

In-Line, 4 stroke, water-cooled, Turbocharged	
Combustion type	Direct injection
Cylinders - Bore × stroke	6 - 126 × 130 mm
Displacement	9726 cc
Firing order	1-5-3-6-2-4
Compression ratio	16 : 1
Dry weight	Approx. 990 kg
Dimension(LxWxH)	1775 × 865 × 1220 mm
Rotation	Anti-clockwise
Flywheel / Housing	SAE # 14 / # 1

Fuel System

Injection pump	Direct Injection type
Governor	Electronic type
Feed pump	Mechanical type
Injection nozzle	Multi-hole type/ 0.255 mm
Opening pressure	25+0.5MPa
Fuel filter	Single Stage, Paper

Fuel Consumption

Prime power at 1500rpm	47.5 liters/h
Standby power at 1500rpm	52.3 liters/h
Prime power at 1800rpm	51.0 liters/h
Standby power at 1800rpm	56.1 liters/h

Cooling System

Cooling method	Fresh water forced type
Water pump	Centrifugal, Belt driven
Water Capacity	28.0 liters (engine only)
Max. water Temp	95 degree C.
Cooling Fan	Blade 7EA - Ø 560 mm

Lubrication System

Lub. Oil Pan Capacity	28.0 liters
Max. allowable Oil Temp	120 degree C.
Oil pressure	Min. 294 kPa Max. 490 kPa

Intake & Exhaust System

Max air restriction	Clean 2 kPa / Dirty 5 kPa
Exhaust back	Max 6 kPa

Engineering Data

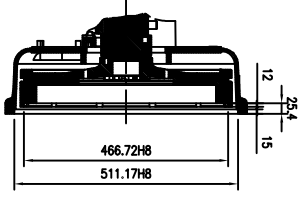
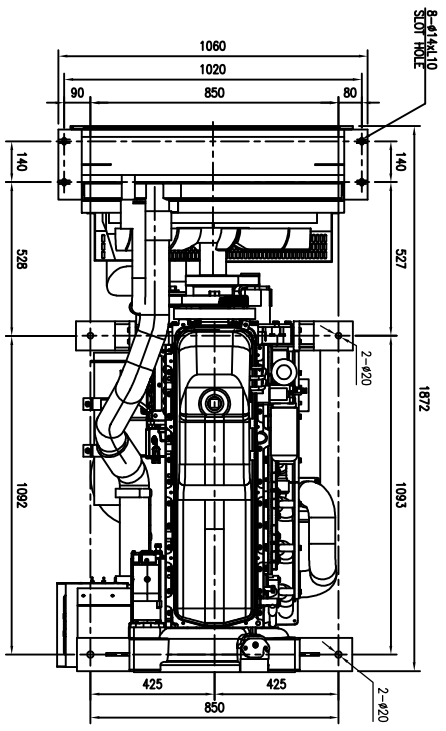
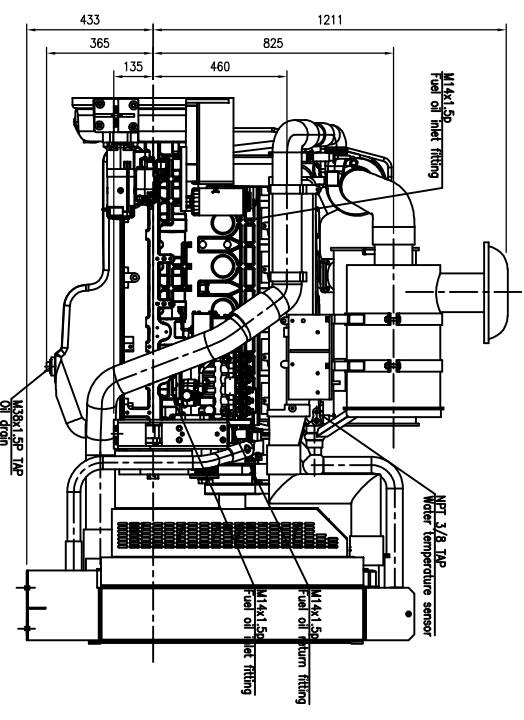
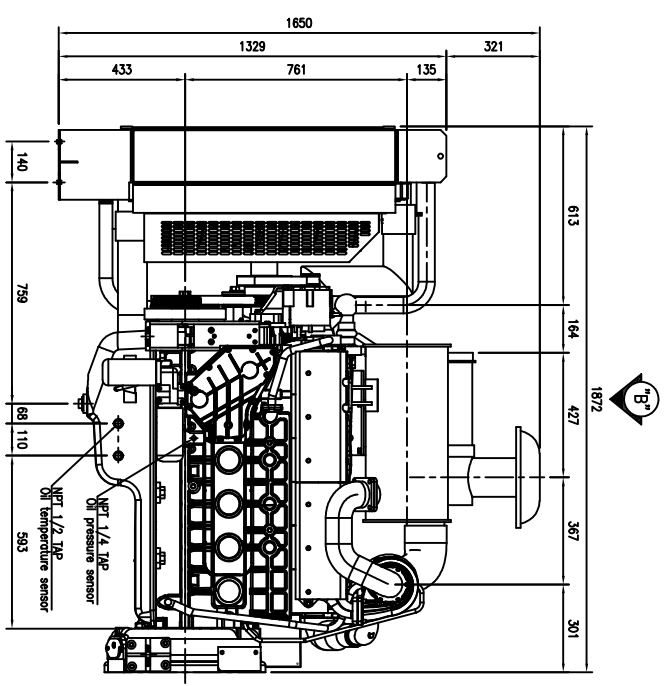
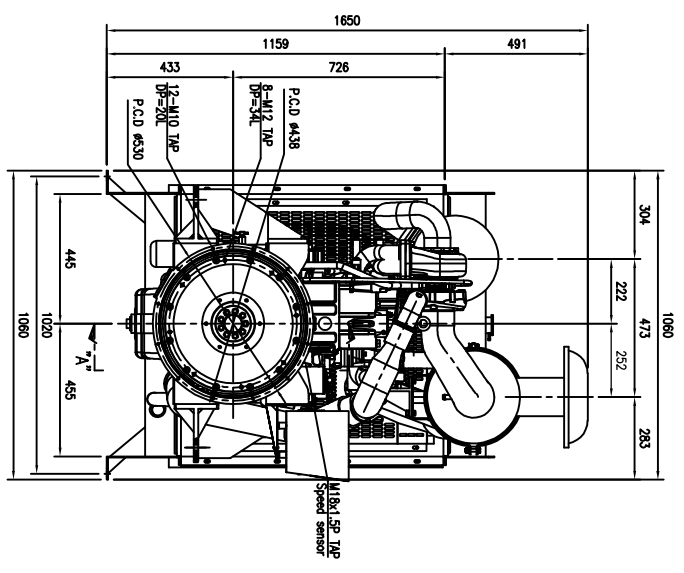
Combustion Air at 1500rpm	15.00 m ³ /min
Exhaust Gas at 1500rpm	29.50 m ³ /min
Combustion Air at 1800rpm	15.70 m ³ /min
Exhaust Gas at 1800rpm	31.00 m ³ /min

Electric System

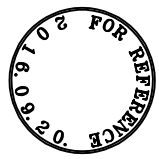
Charging generator	27.5 V × 55 A
Starting motor	24 V × 7.5 kW
Battery	12 V x 2 x 120 Ah

Conversion Table

PS = kW × 1.3596	in. = mm × 0.0394
psi = kg/cm ² × 14.2233	
HP= PS × 0.98635	



NOTE:
FLYWHEEL : SAE#14
FLYWHEEL HOUSING : SAE#1



TITLE		CUSTOMER	
KOODEC ENGINE ASSEMBLY		-	
SCALE	1/20	DATE	16/09/20
DRAWN BY		APPROVED BY	
CHECKED BY		CONTRACT NO.	3017250-4H
APPROVAL		SPEC. NO.	KOODEC-206
CLIENT		REVISION	