

DIESEL ENGINE

KDG SERIES FOR GENERATOR

Model: 6KDG-273	Prime power	248.0KW(337.0HP)/1500 rpm	273.0KW(371.0HP)/1800 rpm
	Standby Power	273.0KW(371.0HP)/1500 rpm	300.0KW(408.0HP)/1800 rpm

- The engine performance is as per ISO 3046. Type of operation is based on ISO 8528.
- Prime power is available for an unlimited number of hours per year in a variable load application.
- The permissible average power output over 24 hours of operation shall not exceed 80% of the prime power rating.

Engine Specifications

In-Line, 4 stroke, water-cooled, Turbocharged	
Combustion type	Direct injection
Cylinders - Bore x stroke	6 - 126 x 130 mm
Displacement	9726 cc
Firing order	1-5-3-6-2-4
Compression ratio	16 : 1
Dry weight	Approx. 990 kg
Dimension(LxWxH)	1775 x 865 x 1220 mm
Rotation	Anti-clockwise
Flywheel / Housing	SAE # 14 / # 1

Fuel System

Injection pump	Direct Injection type
Governor	Electronic type
Feed pump	Mechanical type
Injection nozzle	Multi-hole type/ 0.255 mm
Opening pressure	25+0.5MPa
Fuel filter	Single Stage, Paper

Fuel Consumption

Prime power at 1500rpm	60.0 liters/h
Standby power at 1500rpm	66.0 liters/h
Prime power at 1800rpm	72.0 liters/h
Standby power at 1800rpm	79.2 liters/h

Cooling System

Cooling method	Fresh water forced type
Water pump	Centrifugal, Belt driven
Water Capacity	28.0 liters (engine only)
Max. water Temp	95 degree C.
Cooling Fan	Blade 7EA - Ø 760 mm

Lubrication System

Lub. Oil Pan Capacity	28.0 liters
Max. allowable Oil Temp	120 degree C.
Oil pressure	Min. 294 kPa Max. 490 kPa

Intake & Exhaust System

Max air restriction	Clean 2 kPa / Dirty 5 kPa
Exhaust back	Max 6 kPa

Engineering Data

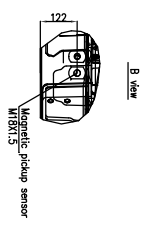
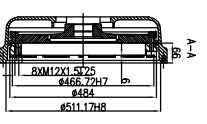
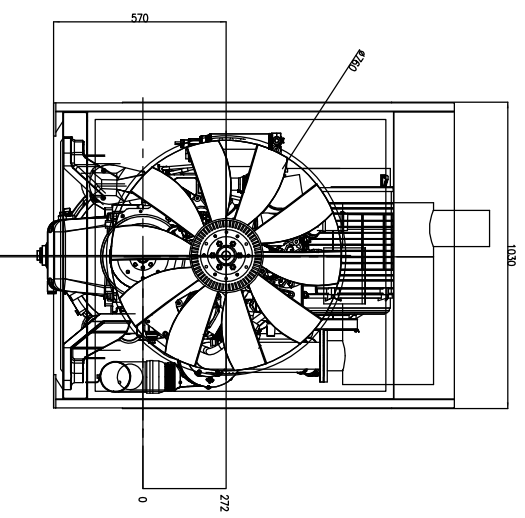
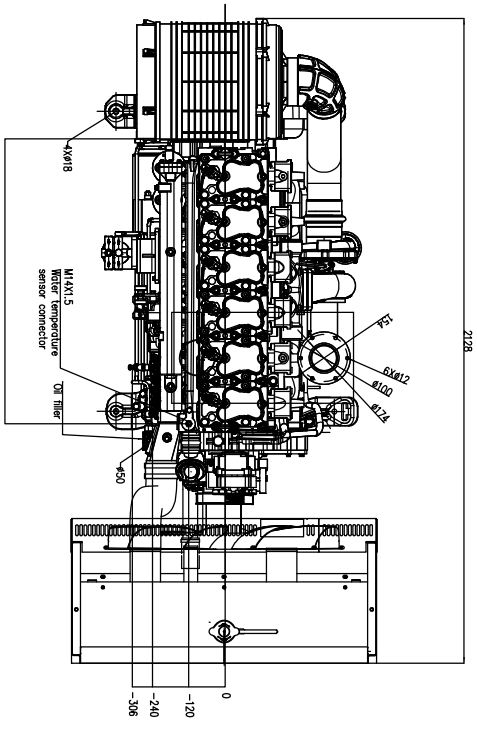
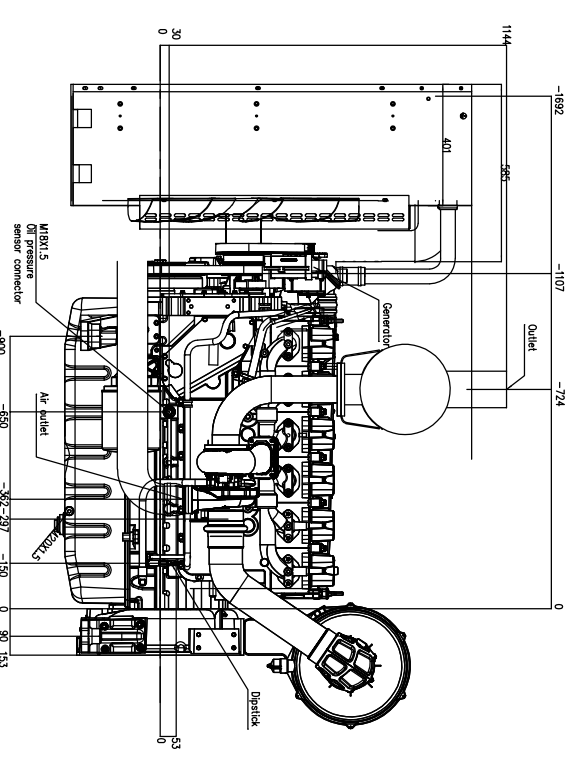
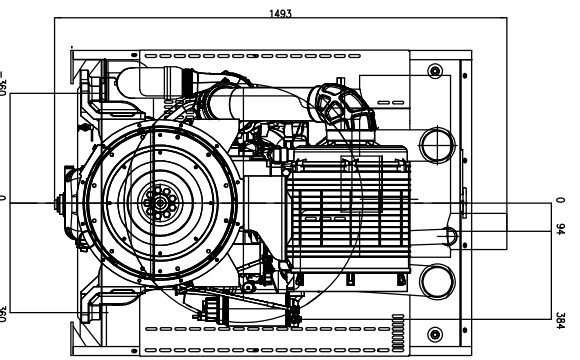
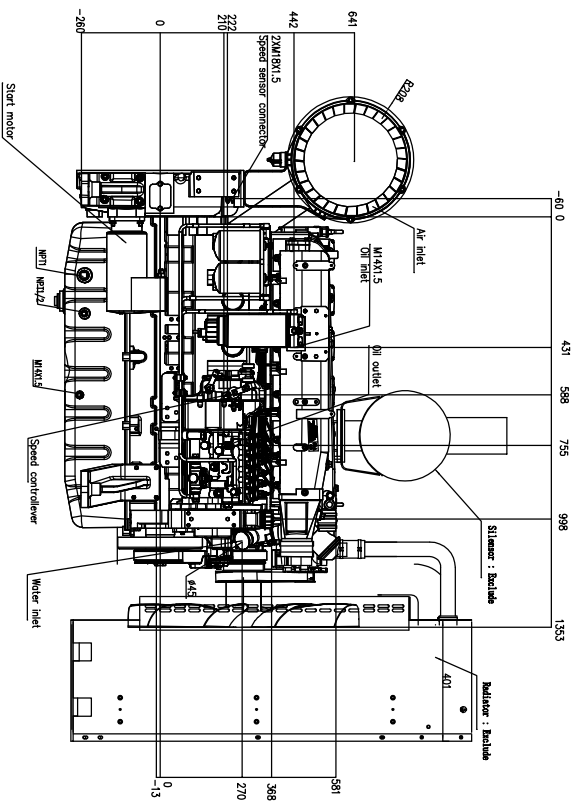
Combustion Air at 1500rpm	17.60 m3/min
Exhaust Gas at 1500rpm	34.5 m3/min
Combustion Air at 1800rpm	21.2 m3/min
Exhaust Gas at 1800rpm	23.320 m3/min

Electric System

Charging generator	27.5 V x 55 A
Starting motor	24 V x 7.5 kW
Battery	12 V x 2 x 120 Ah

Conversion Table

PS = kW x 1.3596	in. = mm x 0.0394
psi = kg/cm ² x 14.2233	
HP= PS x 0.98635	



CUSTOMER		TITLE	
-		KODJEC ENGINE ASSEMBLY	
SCALE	1/25	DATE	16.09.20
DRAWN BY		APPROVAL	
CHECKED BY		CONTRACT NO.	8K0C-273
APPROVAL		REV. NO.	01
CLIENT APPROVAL		JOB NO.	2011109-01
		REVISED	