

DIESEL ENGINE

KDG SERIES FOR GENERATOR

Model: 6KDG-99	Prime power	90.0KW(122.0HP)/1500 rpm	95.0KW(129.0HP)/1800 rpm
	Standby Power	99.0KW(135.0HP)/1500 rpm	102.0KW(137.0HP)/1800 rpm

- The engine performance is as per ISO 3046. Type of operation is based on ISO 8528.
- Prime power is available for an unlimited number of hours per year in a variable load application.
- The permissible average power output over 24 hours of operation shall not exceed 80% of the prime power rating.

Engine Specifications

In-Line, 4 stroke, water-cooled, Turbocharged	
Combustion type	Direct injection
Cylinders - Bore x stroke	6 - 105 x 125 mm
Displacement	6494 cc
Firing order	1-5-3-6-2-4
Compression ratio	16 : 1
Dry weight	Approx. 670 kg
Dimension(LxWxH)	1,380 x 740 x 1,275 mm
Rotation	Anti-clockwise
Flywheel / Housing	SAE # 11.5 / # 3

Fuel System

Injection pump	Direct Injection type
Governor	Electronic type
Feed pump	Mechanical type
Injection nozzle	Multi-hole type/ 0.255 mm
Opening pressure	25+0.5MPa
Fuel filter	Single Stage, Paper

Fuel Consumption

Prime power at 1500rpm	25.2 liters/h
Standby power at 1500rpm	27.7 liters/h
Prime power at 1800rpm	27.1 liters/h
Standby power at 1800rpm	29.8 liters/h

Cooling System

Cooling method	Fresh water forced type
Water pump	Centrifugal, Belt driven
Water Capacity	13.8 liters (engine only)
Max. water Temp	95 degree C.
Cooling Fan	Blade 7EA - Ø 530 mm

Lubrication System

Lub. Oil Pan Capacity	16.0 liters
Max. allowable Oil Temp	110 degree C.
Oil pressure	Min. 294 kPa Max. 490 kPa

Intake & Exhaust System

Max air restriction	Clean 2 kPa / Dirty 5 kPa
Exhaust back	Max 6 kPa

Engineering Data

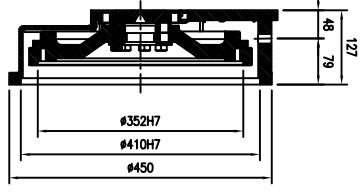
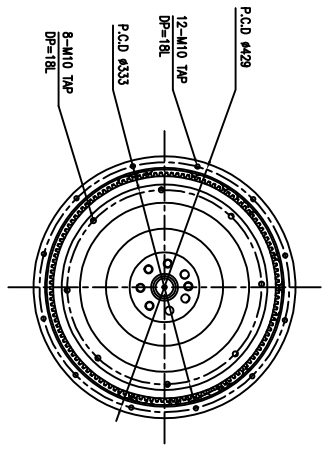
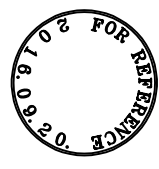
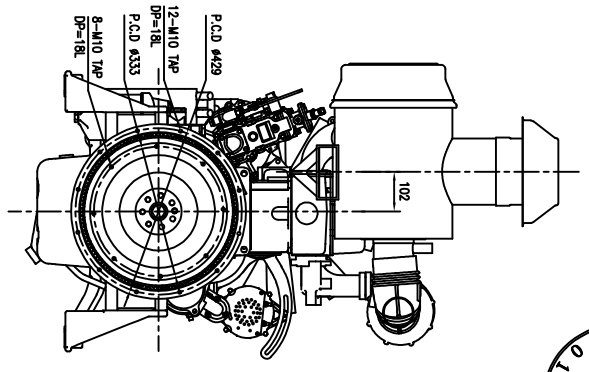
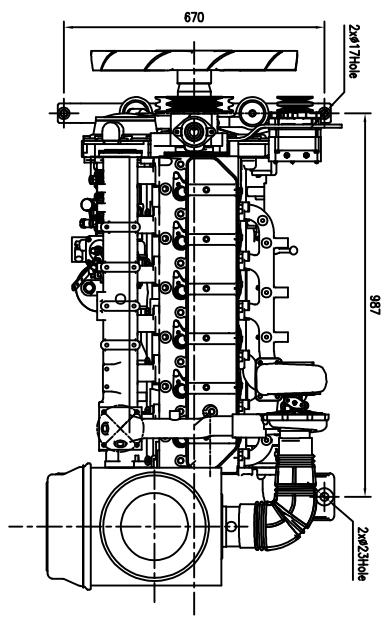
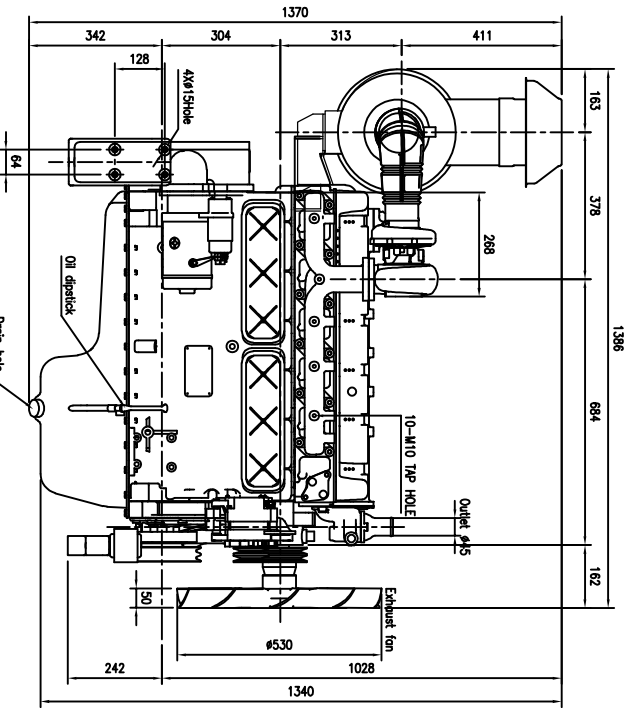
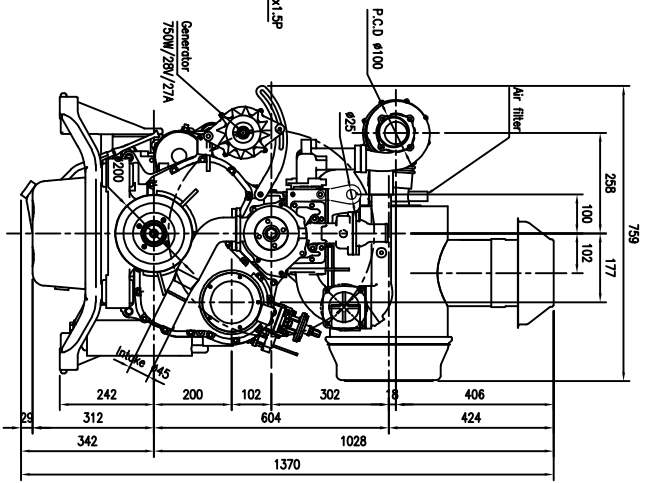
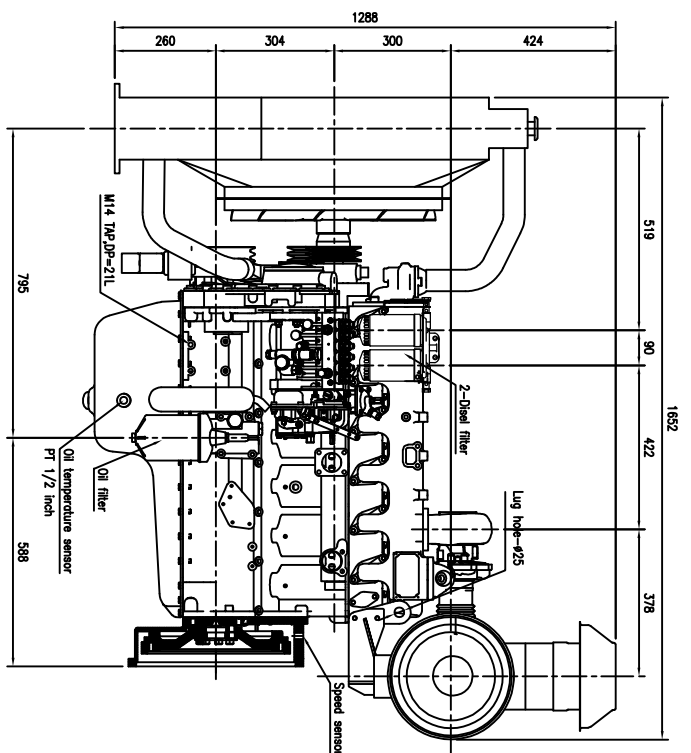
Combustion Air at 1500rpm	7.5 m3/min
Exhaust Gas at 1500rpm	18.8 m3/min
Combustion Air at 1800rpm	7.7 m3/min
Exhaust Gas at 1800rpm	19.1 m3/min

Electric System

Charging generator	27.5 V x 36 A
Starting motor	24 V x 7.5 kW
Battery	12 V x 2 x 120 Ah

Conversion Table

PS = kW x 1.3596	in. = mm x 0.0394
psi = kg/cm ² x 14.2233	
HP= PS x 0.98635	



DETAIL OF FLYWHEEL HOUSING
 SCALE = 1.5/1
 FLYWHEEL : SAE#11.5
 FLYWHEEL HOUSING : SAE#3

TITLE		CUSTOMER	
KODDEC ENGINE ASSEMBLY		-	
SCALE	1/15	DATE	16/09/20
DESIGN	-	APPROVAL	-
CONTRACT	6K00-99	REV. NO.	6K00-99
APPROVAL	-	JOB NUMBER	2010000-00
CLIENT	APPROVAL	REVISION	-