

# DIESEL ENGINE

## KDG SERIES FOR GENERATOR

<b>Model: 8KDG-415</b>	<b>Prime power</b>	<b>365.0KW(496.0HP)/1500 rpm</b>	<b>405.0KW(551.0HP)/1800 rpm</b>
	<b>Standby Power</b>	<b>415.0KW(564.0HP)/1500 rpm</b>	<b>460.0KW(626.0HP)/1800 rpm</b>

- The engine performance is as per ISO 3046. Type of operation is based on ISO 8528.
- Prime power is available for an unlimited number of hours per year in a variable load application.
- The permissible average power output over 24 hours of operation shall not exceed 80% of the prime power rating.

### Engine Specifications

V-Type, 4 stroke, water-cooled, Turbocharged, air-to-air intercooled.

Combustion type	Direct injection
Cylinders - Bore x stroke	8 - 128 x 142 mm
Displacement	14,618 cc
Firing order	1-5-7-2-6-3-4-8
Compression ratio	14.6 : 1
Dry weight	Approx. 1050 kg
Dimension(LxWxH)	1484 x 1389 x 1288 mm
Rotation	Anti-clockwise
Flywheel / Housing	SAE # 14 / # 1

### Cooling System

Cooling method	Fresh water forced type
Water pump	Centrifugal, Belt driven
Water Capacity	20.0 liters (engine only)
Max. water Temp	95 degree C.
Cooling Fan	Blade 7EA - Ø 915 mm

### Intake & Exhaust System

Max air restriction	Clean 2 kPa / Dirty 5 kPa
Exhaust back	Max 6 kPa

### Electric System

Charging generator	27.5 V x 45 A
Starting motor	24 V x 7.0 kW
Battery	12 V x 2 x 120 Ah

### Fuel System

Injection pump	Direct Injection type
Governor	Electronic type
Feed pump	Mechanical type
Injection nozzle	Multi-hole type/ 0.255 mm
Opening pressure	27+0.5MPa
Fuel filter	Single Stage, Paper

### Fuel Consumption

Prime power at 1500rpm	91.4 liters/h
Standby power at 1500rpm	100.5 liters/h
Prime power at 1800rpm	103.5 liters/h
Standby power at 1800rpm	113.8 liters/h

### Lubrication System

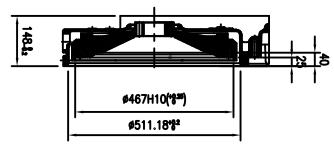
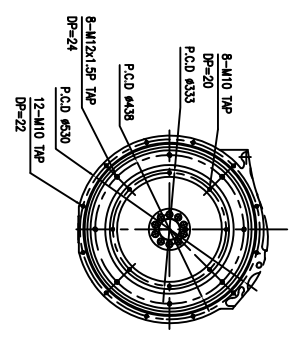
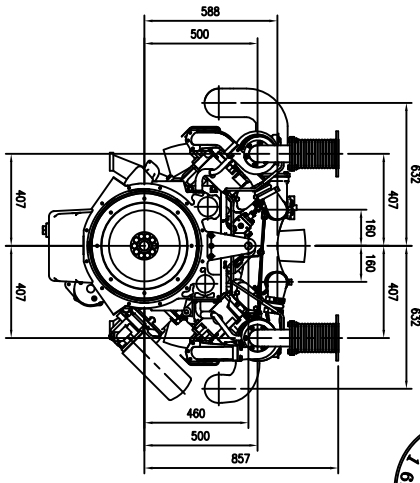
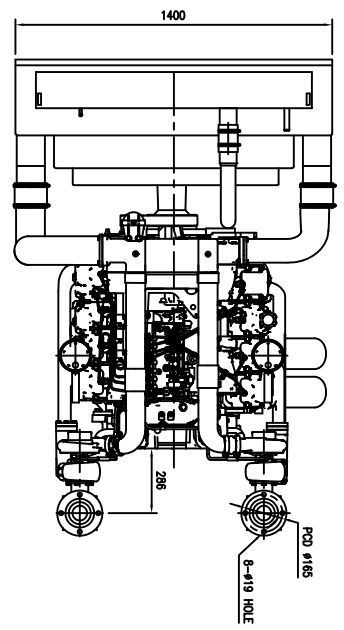
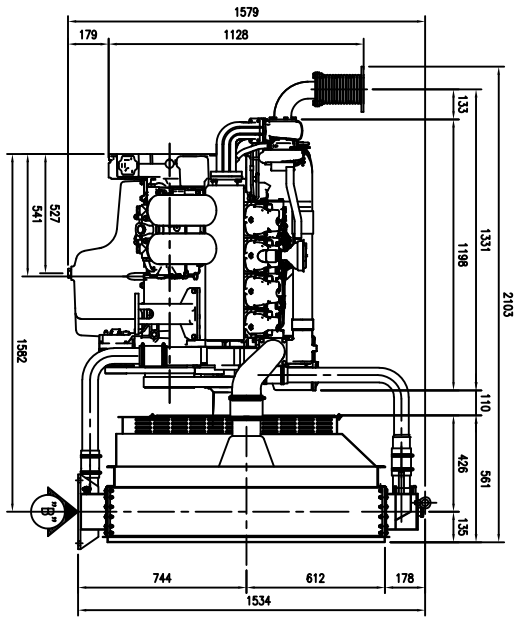
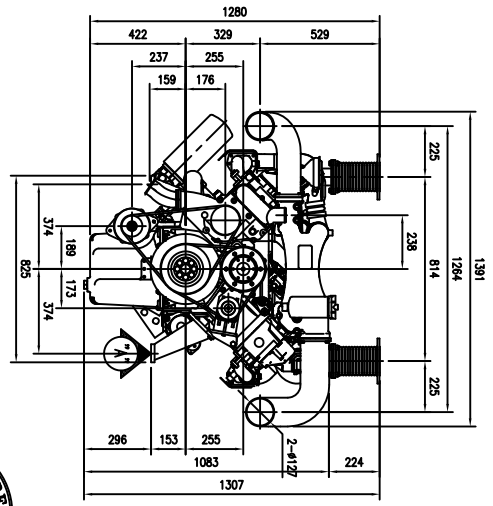
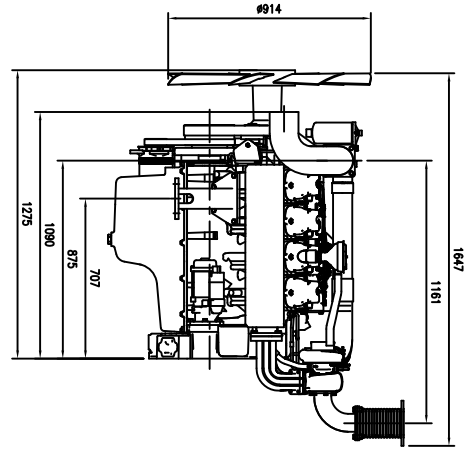
Lub. Oil Pan Capacity	21.0 liters
Max. allowable Oil Temp	120 degree C.
Oil pressure	Min. 300 kPa Max. 650 kPa

### Engineering Data

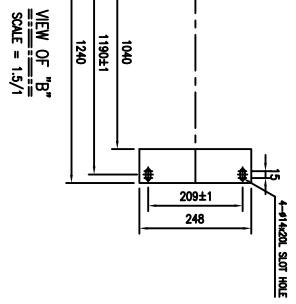
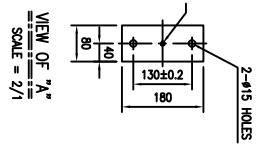
Combustion Air at 1500rpm	28.9 m3/min
Exhaust Gas at 1500rpm	75.1 m3/min
Not available at 1800rpm	32.7 m3/min
Not available at 1800rpm	85.0 m3/min

### Conversion Table

PS = kW x 1.3596	in. = mm x 0.0394
psi = kg/cm <sup>2</sup> x 14.2233	
HP= PS x 0.98635	



DETAIL OF FLYWHEEL HOUSING  
 SCALE = 1.5/1  
 FLYWHEEL : SAE#14  
 FLYWHEEL HOUSING : SAE#1



CUSTOMER		TITLE	
-		KODIEC ENGINE ASSEMBLY	
SCALE	1/25	DATE	14.09.20
DESIGNED BY	-	CHECKED BY	-
DRAWN BY	-	APPROVED BY	-
REVISED BY	-	REVISED DATE	-
NO.	00	REVISED NO.	00
REVISED DATE	20100920-00	REVISED NO.	00
CUSTOMER		DRAWING NO.	
-		8K0C-415	
REVISED		REVISED DATE	
-		-	