

DIESEL ENGINE

KDP SERIES FOR FIRE PUMP

Model: 6KDP-110

Prime power 110.0KW(150HP)/3000 rpm
Standby Power 121.0KW(165HP)/3000 rpm

Engine Specifications

In-Line, 4 stroke, water-cooled, Natural Aspiration
 Combustion type Direct injection
 Cylinders - Bore x stroke 6 - 105 x125 mm
 Displacement 6494 cc
 Firing order 1 - 5-3 -6-2-4
 Compression ratio 18 : 1
 Dry weight Approx. 600 kg
 Dimension(LxWxH) 1400 x 700 x 1190 mm
 Rotation Anti-clockwise
 Flywheel / Housing SAE # 11.5 / # 3

Fuel System

Injection pump Direct Injection type
 Governor Mechanical type
 Feed pump Mechanical type
 Injection nozzle Multi-hole type/ 0.255 mm
 Opening pressure 20+0.5MPa
 Fuel filter Single Stage, Paper

Fuel Consumption

Prime power at 3000rpm 31.0 liters/h
 Standby Power at 3000rpm 34.0 liters/h

Cooling System

Cooling method Fresh water forced type
 Water pump Centrifugal, Belt driven
 Max. water Temp 95 degree C.
 Cooling Fan Blade 7EA - Ø 530 mm

Lubrication System

Lub. Oil Pan Capacity 16.5 liters
 Max. allowable Oil Temp 110 degree C.
 Min. 294 kPa
 Max. 490 kPa
 Oil pressure

Intake & Exhaust System

Max air restriction Clean 2 kPa / Dirty 5 kPa
 Exhaust back Max 6 kPa

Engineering Data

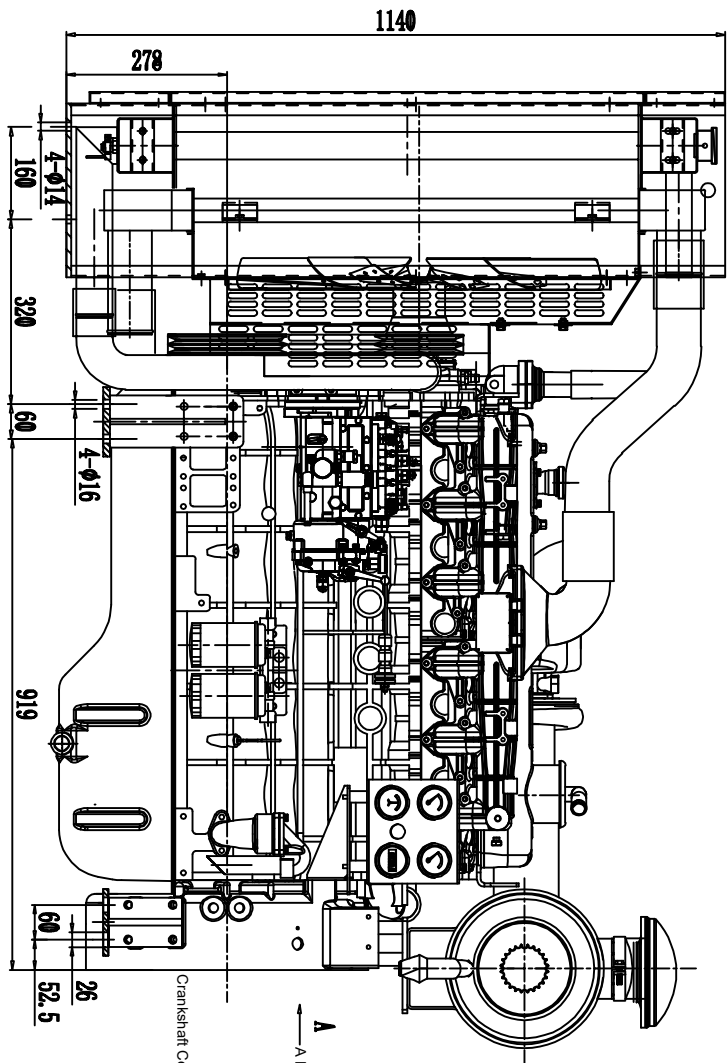
Combustion Air 8.72m³/min
 Exhaust Gas 20.31m³/min

Electric System

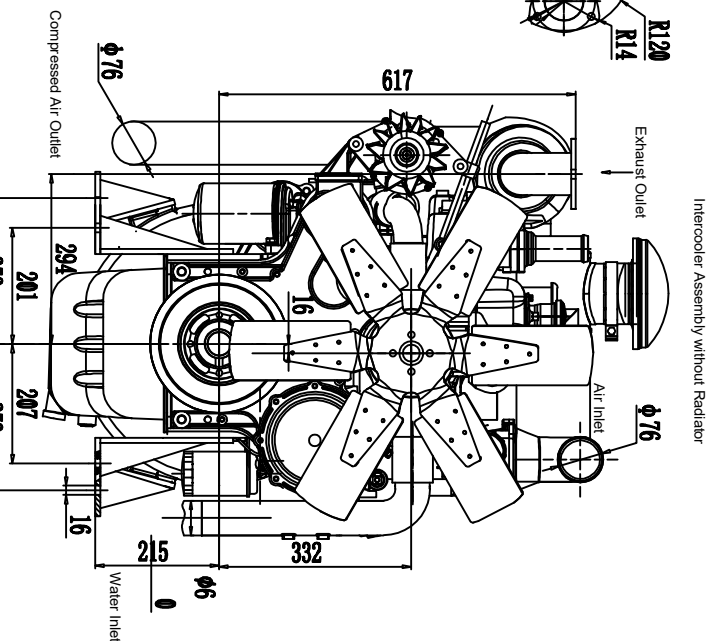
Charging generator 27.5 V x 36 A
 Starting motor 24 V x 7.5 kW
 Battery 12 V x 2 x 120 Ah

Conversion Table

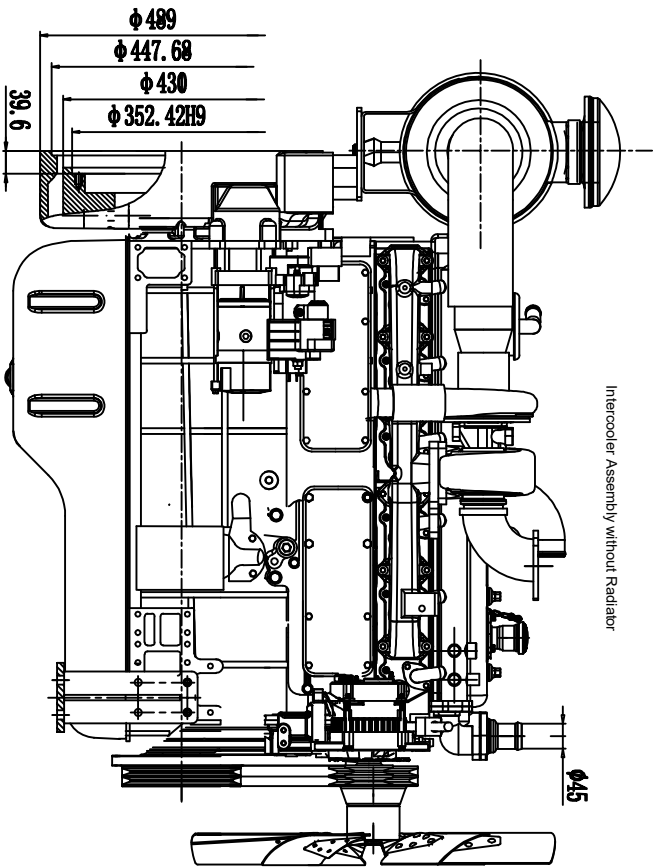
PS = kW x 1.3596 in. = mm x 0.0394
 psi = kg/cm² x 14.2233
 HP= PS x 0.98635



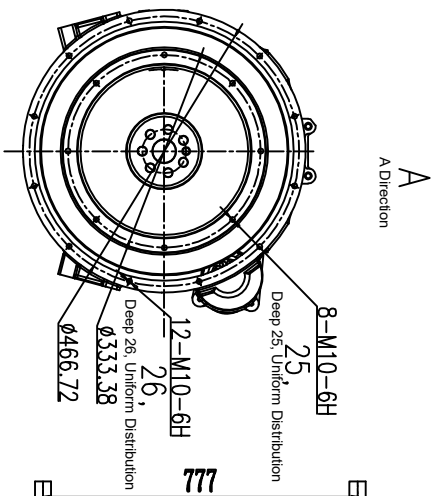
Crankshaft Center Line
A Direction



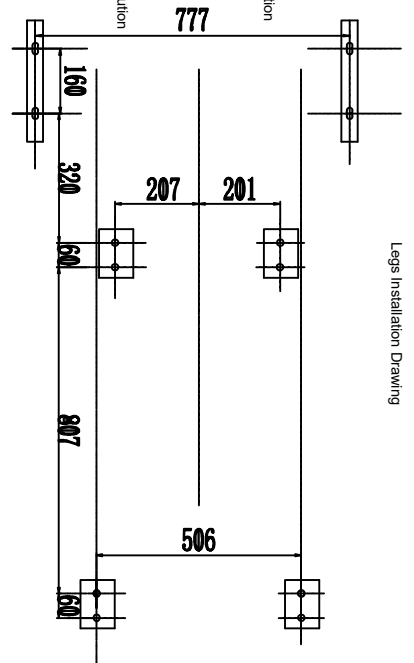
Intercooler Assembly without Radiator



Intercooler Assembly without Radiator



A Direction



Legs Installation Drawing

SCALE	1/5	DATE	
DRAWN BY		DATE	12.04.23
CHECKED BY		CONTRACT	
APPROVAL		NO.	2023042-00
CLIENT		REV.	
PROJECT			

KOODC ENGINE ASSEMBLY
KOP-110

REV. NO. 01
KOP-110