

# DIESEL ENGINE

## KDP SERIES FOR FIRE PUMP

### Model: 6KDP-160

**Prime power** 160.0KW(215HP)/3000 rpm  
**Standby Power** 176.0KW(241HP)/3000 rpm

#### Engine Specifications

In-Line, 4 stroke, water-cooled, **Turbocharger and Intercooler**

Combustion type Direct injection  
 Cylinders - Bore × stroke 6 - 105 × 125 mm  
 Displacement 6494 cc  
 Firing order 1 – 5–3 –6–2– 4  
 Compression ratio 17 : 1  
 Dry weight Approx. 680 kg  
 Dimension(LxWxH) 1620 × 760 × 1180 mm  
 Rotation Anti-clockwise  
 Flywheel / Housing SAE # 11.5 / # 3

#### Cooling System

Cooling method Fresh water forced type  
 Water pump Centrifugal, Belt driven  
 Max. water Temp 95 degree C.  
 Cooling Fan Blade 7EA - Ø 600 mm

#### Intake & Exhaust System

Max air restriction Clean 2 kPa / Dirty 5 kPa  
 Exhaust back Max 6 kPa

#### Electric System

Charging generator 27.5 V × 36 A  
 Starting motor 24 V × 7.5 kW  
 Battery 12 V x 2 x 120 Ah

#### Fuel System

Injection pump Direct Injection type  
 Governor Mechanicaltype  
 Feed pump Mechanicaltype  
 Injection nozzle Multi-hole type/ 0.255 mm  
 Opening pressure 20+0.5MPa  
 Fuel filter Single Stage, Paper

#### Fuel Consumption

Prime power at 3000rpm 44.0 liters/h  
 Standby Power at 3000rpm 49.3 liters/h

#### Lubrication System

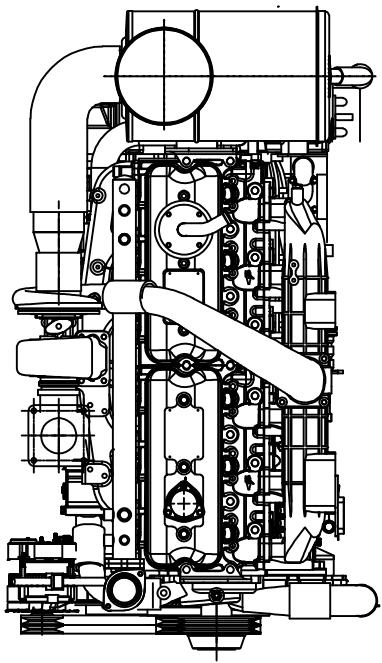
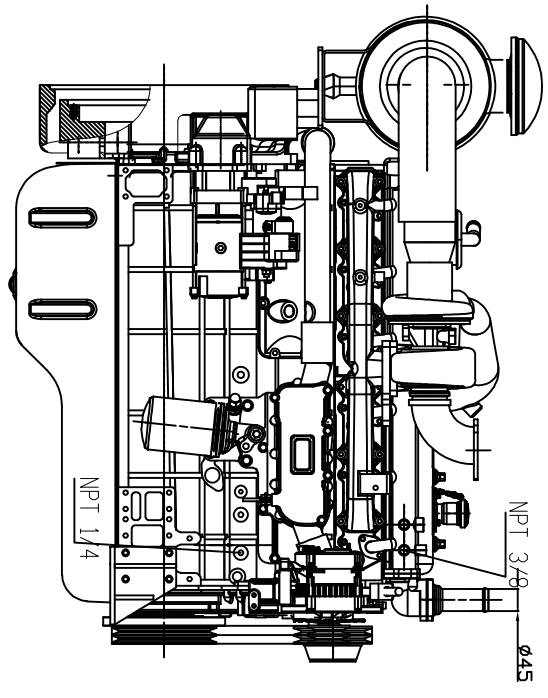
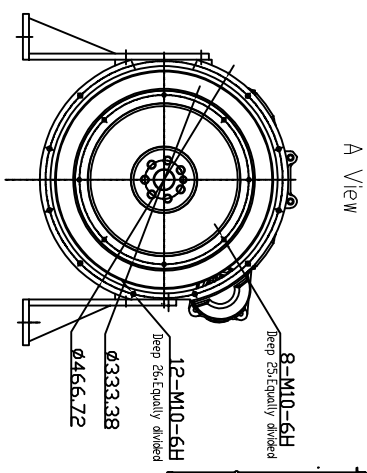
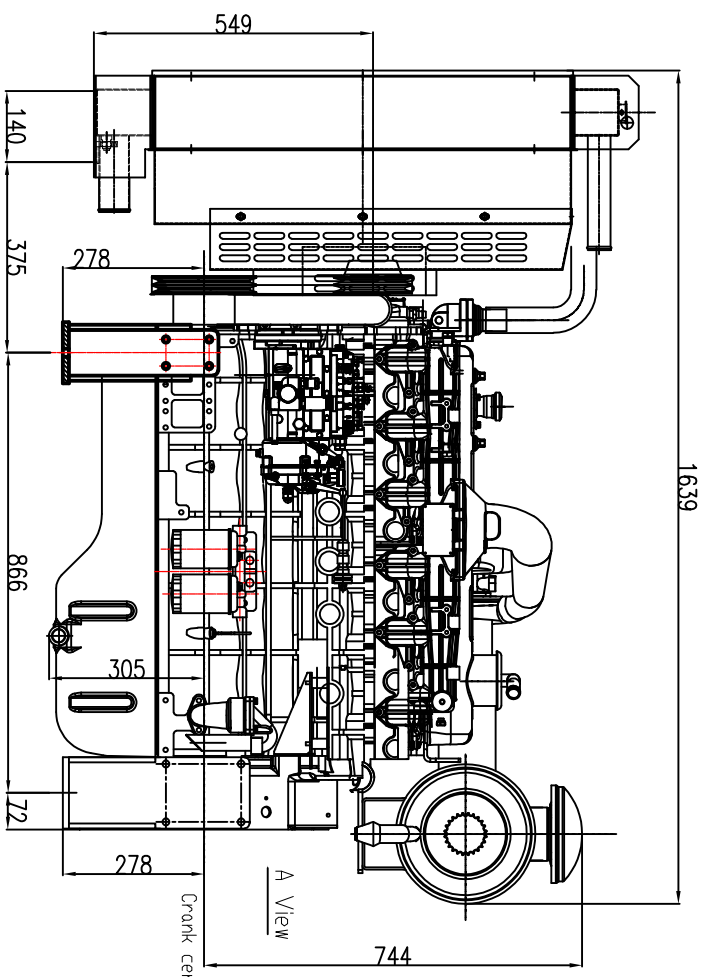
Lub. Oil Pan Capacity 17 liters  
 Max. allowable Oil Temp 110 degree C.  
 Oil pressure Min. 294 kPa  
 Max. 490 kPa

#### Engineering Data

Combustion Air 11.30m<sup>3</sup>/min  
 Exhaust Gas 27.35m<sup>3</sup>/min

#### Conversion Table

PS = kW × 1.3596 in. = mm × 0.0394  
 psi = kg/cm<sup>2</sup> × 14.2233  
 HP= PS x 0.98635



SCALE	1/8"	DATE	20/02/22
DRAWN BY		DESIGNED BY	
CHECKED BY		APPROVED BY	
CLIENT	KOODEC ENGINE ASSEMBLY		
PROJECT NO.	KOP-160		
REVISED	REVISED		