

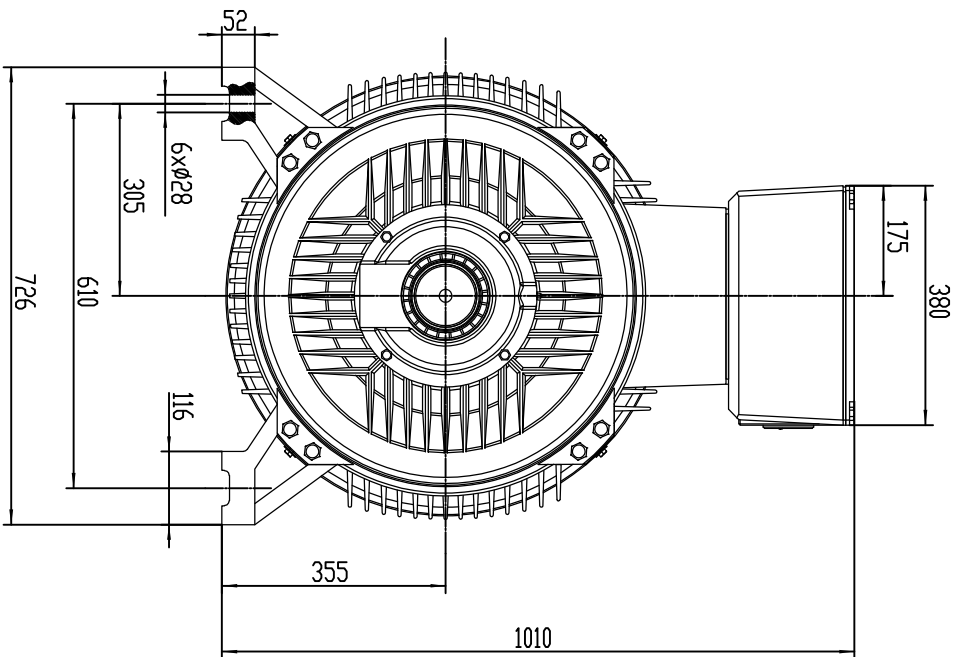
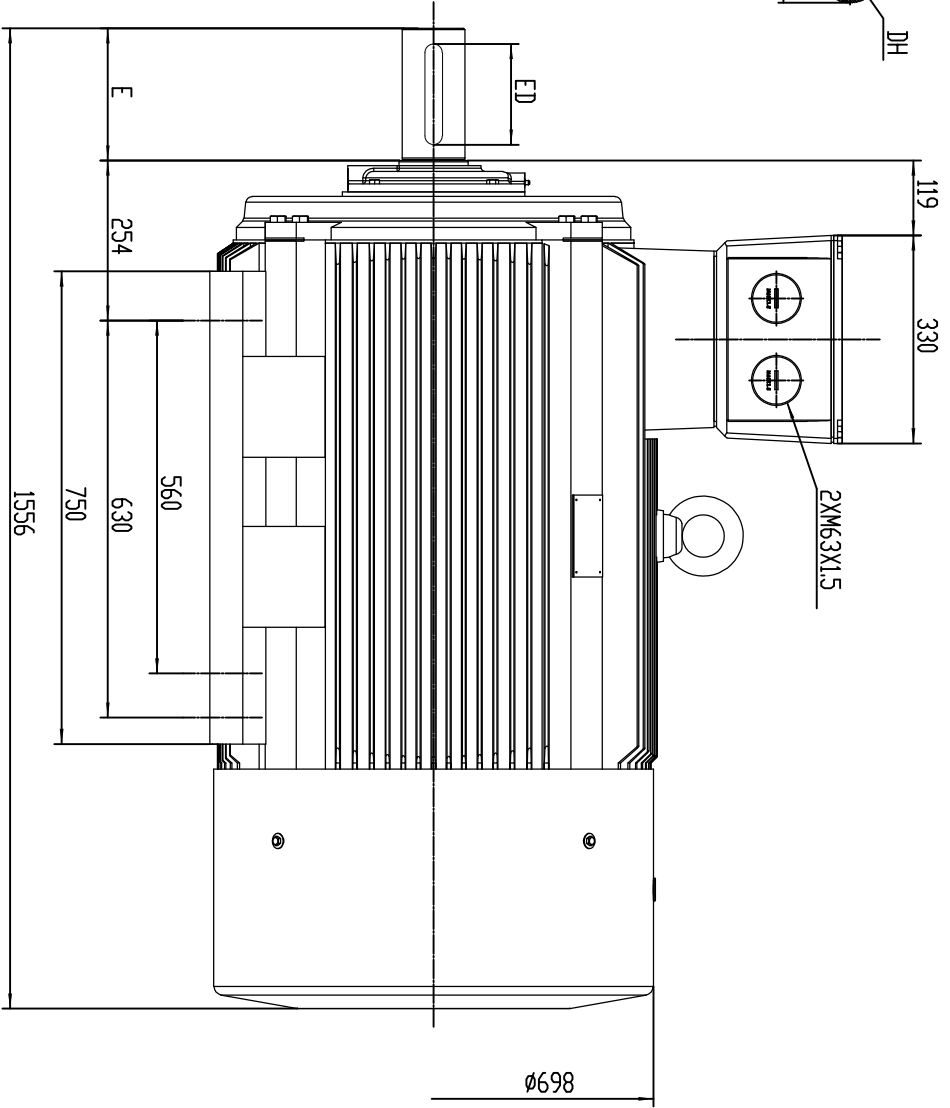
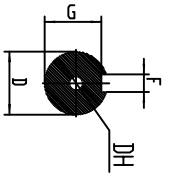
**ECOL MOTOR**
**MODEL D1S 355M2-2**
**TECHNICAL DATA SHEET**

General Data	
Frame size	355
Housing material	Casting iron
Install model	According to the standard
Type of feet	Fixed feet
Net weight	1650 kg
Insulation class	F (Standard)
	H (Optional)
Protection degree	IP 55 (Standard)
	IP 56 (Optional)
Thermal protection	Without (Standard)
	Customizable (Optional)
Service duty	S1
Vibration level	A
Balance	Half-key balanced
Cable glands	2 - M63x 1.5
Cooling	IC 411
Painting color	RAL 7024 (Standard)
	Customizable (Optional)
Regulations	IEC / DIN / ISO / VDE / EN
Standard	IEC 60034

Environmental conditions	
Ambient temperature	From -20°C to +40°C
Maximum altitude	1000 m above sea level

Electrical Data		
Output	250	kW
Frequency	50	Hz
Voltage (±5%)	400	V Δ @ 50Hz
	690	V Y @ 50Hz
	480	V Δ @ 60Hz
	828	V Y @ 60Hz
Rotation speed	2945	RPM @ 50Hz
	3534	RPM @ 60Hz
Rated current	426.53	A (In) @ Δ 50Hz
	246.25	A (In) @ Y 50Hz
Starting current	7.1	xIn
Rated torque	810.7	Nm (Mn)
Starting torque	1.6	xMn
Breakdown torque	2.2	xMn
		IE1
Efficiency	94	@ 100% load
	94.4	@ 75% load
	93.2	@ 50% load
Power factor cosφ	0.9	@ 100% load

Mechanical Data		
Bearings brand	C&U	(Standard)
	Customizable	(Optional)
Bearings type	6319 C3	(DE)
	6319 C3	(NDE)
Lifetime of bearings		- hours
Allowed radial load		8450 N
Allowed axial load		79300 N
Grease type	polyurea-based grease	
Lubrication interval of NDE bearing		3200 h
Lubrication interval of DE bearing		3200 h
Moment of inertia	3.14272	Kg*m <sup>2</sup>
Noise level	103	dB(A)



TYPE	D	E	F	G	DH	ED	L	
DS-355M/L-2P	Ø75	140	20-Øa3	68	M20x42	110	1500	
DS-355M/L-4/6/8P	Ø95	170	25-Øa2	86	M24x50	140	1530	short shaft
DS-355M/L-4/6/8P	Ø100	210	28-Øa2	90	M24x50	160	1570	Long shaft

DS 355M/L B3 MOUNT		1HMY.010.T118B	
DESSUN MOTOR DIS SERIES		RATE 1:6	
28200101			